

1/4" or 1/2" Diaphragm Drum-IBC-Tank Pump Kit

Model No. DM-DDP/BM Series, 1/2" Discharge Ports, Up to 10 Gpm

For Drum or IBC Transfer of any Liquids Compatible with Choice of Materials:
Polypropylene, Nylon, Teflon, Viton, Santoprene, Buna-N, EPDM & others.

This universal double diaphragm pump kits, Drum-Mates Model **DM-DDP/BM Series**, are designed as a lightweight, portable way to easily adapt for use in either drum, IBC or tank transfer applications through a 2" bunghole. The drum pump kit offers safe, efficient, cost-effective liquid transfer. The drum pump's 2" (5.1cm) male NPT adapter is suitable for easy installation on most drums and IBC's and with the **DM-55BCF Series ThreadConverters**, can fit virtually any bung size in the world. The standard length of the pick-up tube is 36" (91.4cm) and can be cut or lengthened to accommodate various container sizes. The pump is available in 1/4" and 1/2" models for various flow rates. The pump and drum kit are also available in a variety of high chemical resistance materials for virtually any fluid chemically compatible with Nylon, Polypropylene or Teflon. These pumps are excellent for dispensing light to thick materials, are self-priming, will run dry without damage, employ no electric motors, seals, bearings, or impellers and are easily transferrable from the bung mount assembly. The pump easily purges for between job cleaning.



Contact your authorized DRUM-MATES distributor for more information. Ask about our line of pump hand dispensing nozzles.

Specifications

1/4" Pump Specifications

Height.....	163 mm (6.4")
Width.....	145 mm (5.7")
Depth.....	115 mm (4.5")
Est. Ship Weight.....	Polypropylene 1.4 kg (3 lbs)
	PVDF 1.4 kg (3 lbs)
Air Inlet.....	3 mm (1/8")
Inlet.....	6 mm (1/4")
Outlet.....	6 mm (1/4")
Suction Lift.....	2.74 m Dry (9')
	9.45 m Wet (31')

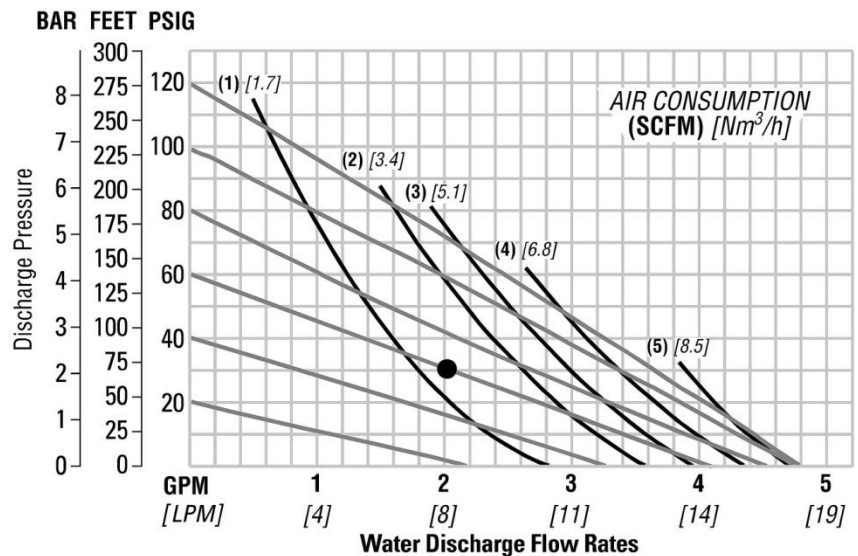
Displacement per	
Stroke.....	0.02 l (0.004 gal.) ¹
Max. Flow Rate.....	18.1 lpm (4.8 gpm)
Max. Size Solids.....	0.4 mm (1/64")

¹Displacement per stroke was calculated at 4.8 bar (70 psig) air inlet pressure against a 2 bar (30 psig) head pressure.

Example: To pump 7.6 lpm (2 gpm) against a discharge pressure head of 2 bar (30 psig) requires 4.1 bar (60 psig) and 2.0 Nm³/h (1.2 scfm) air consumption. (See dot on chart.)

Caution: Do not exceed 8.6 bar (125 psig) air supply pressure.

Performance



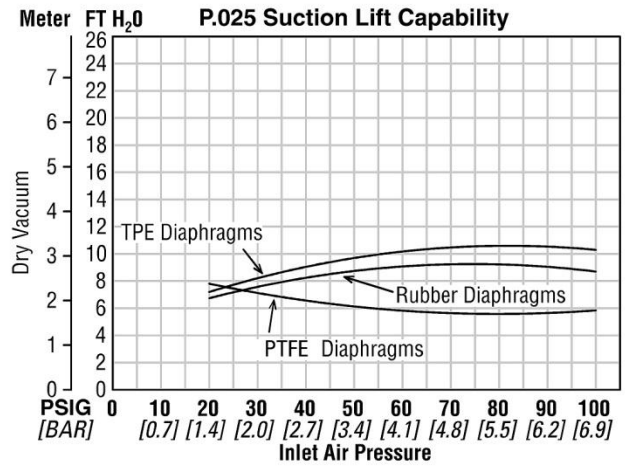
Flow rates indicated on chart were determined by pumping water.

For optimum life and performance, pumps should be specified so that daily operation parameters will fall in the center of the pump performance curve.

Pump Performance

Pump Head (Suction Lift) Performance

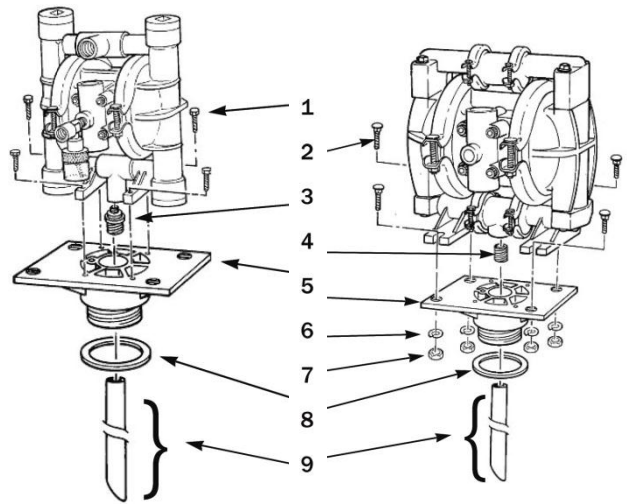
These suction lift curves are calibrated for operating at 1000 feet above sea level this chart is intended to be an operating guide only. There are many variables which can affect the pump operating characteristics. These include the number of intake and discharge elbows, viscosity of fluid being transferred, elevation of container, atmospheric pressure and friction loss due to transfer pipe or hose length, to name a few.



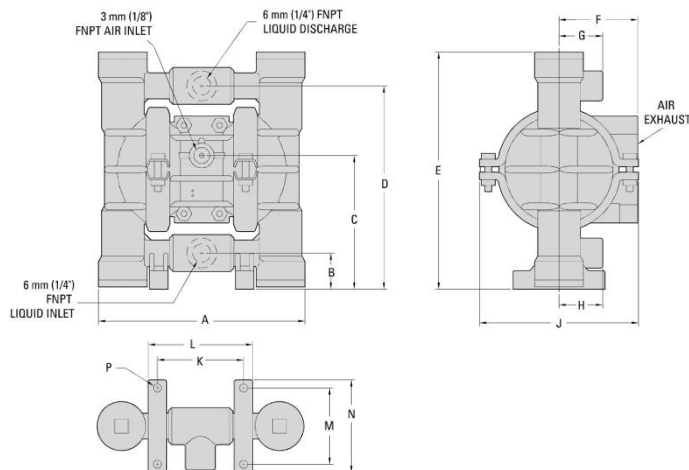
Item #	Qty	Description	Part No.	Material of Construction
1	4	Self Tapping Screws	50-6350-03	Stainless Steel
2	4	Carriage Bolt 1/4" - 20x1 1/2"	02-6050-03-500	Stainless Steel
3	1	Adapter Nipple for P.025	50-9360-20 50-9360-23 50-9360-55	Polypropylene Nylon Teflon® PTFE
4	1	Adapter Nipple for T1	50-9350-20 50-9350-23 50-9350-55	Polypropylene Nylon Teflon® PTFE
5	1	Drum pump Base Adapter	50-9330-20 50-9330-23	Polypropylene Nylon
6	4	Lock Washer	50-6760-03	Stainless Steel
7	4	1/4" - 20 Nut	04-6400-03	Stainless Steel
8	1	Drum Pump Base Gasket	50-1480-52	Buna-N
9	1	Pick-up Tube	50-9310-20 50-9310-23 50-9310-55	Polypropylene Nylon Teflon® PTFE

1/4" Pump

1/2" Pump



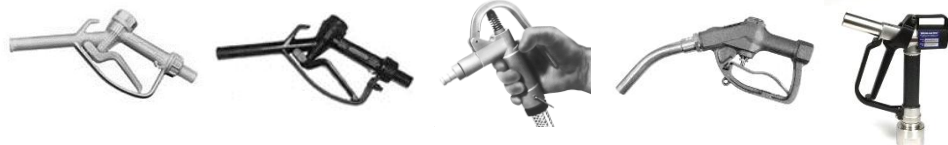
Dimensions



DIMENSIONS

ITEM	METRIC (mm)	STANDARD (inch)
A	145	5.7
B	25	1.0
C	94	3.7
D	140	5.5
E	163	6.4
F	56	2.2
G	30	1.2
H	30	1.2
J	114	4.5
K	61	2.4
L	74	2.9
M	53	2.1
N	64	2.5
P	Ø5	Ø.2

Sanitary & Industrial Hand Transfer Nozzles



Ask for literature on DRUM-MATES® drum/tote mixers, drum tumblers, drum/tote pumps & hand nozzles.
 DRUM-MATES® Inc., Process Equipment Div., T: 609-261-1033, E: info@drummates.com, F: 609-261-1034